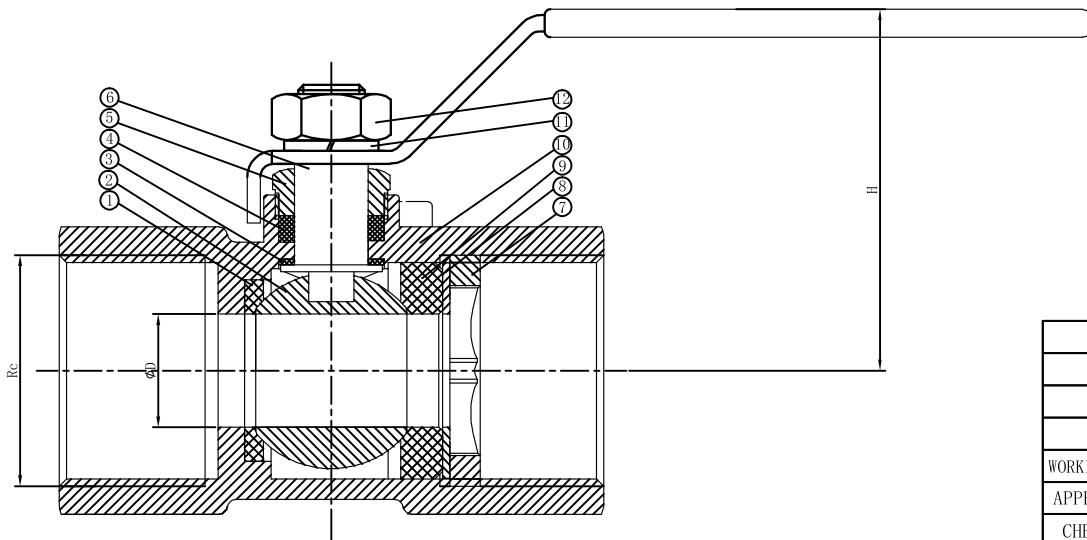


SIZE FROM 1/4" TO 2"

DN	φD	φd	L	W	H
8	1/4"	5	38	75	32
10	3/8"	6.9	43	85	32
15	1/2"	8.5	54	98	35
20	3/4"	12	57	98	38
25	1"	15	67	110	52
32	1 1/4"	20	76	124	57
40	1 1/2"	25	82	139	61
50	2"	32	93	160	66
65	2 1/2"	38	113	200	95
80	3"	48	134	200	102
100	4"	65	185	250	133



SIZE FROM 2. 1/2" TO 4"

12	HANDLE	SS201	1	
11	SEAT	PTFE	1	
10	BUSHING PLUG	304	1	
9	WASHER	304	1	
8	STEM NUT	304	1	
7	SPRING WASHER	304	1	
6	GLAND NUT	304	1	
5	STEM	316	1	
4	PACKING	PTFE	2	
3	BODY	CF8M	1	
2	BALL	316	1	
1	SEAT	PTFE	1	
CODE	PART NAME	MATERIAL	QTY	REMARK

PRESSURE TEST PERFORMANCE		1PC BALL VALVE, REDUCING PORT, LEVER OPERATED
BODY (BY WATER)	1.0Mpa	
SEAT (BY WATER)	1.0Mpa	
SEAT (BY AIR)	0.7Mpa	
WORKING TEMP. -29~120°C	DATE	
APPROVED	JAKE	PROJECT NO.
CHECK	ROBIN	THREADED END: BSPT/NPT/ISO 7-1 ETC
DESIGN	ROSE	