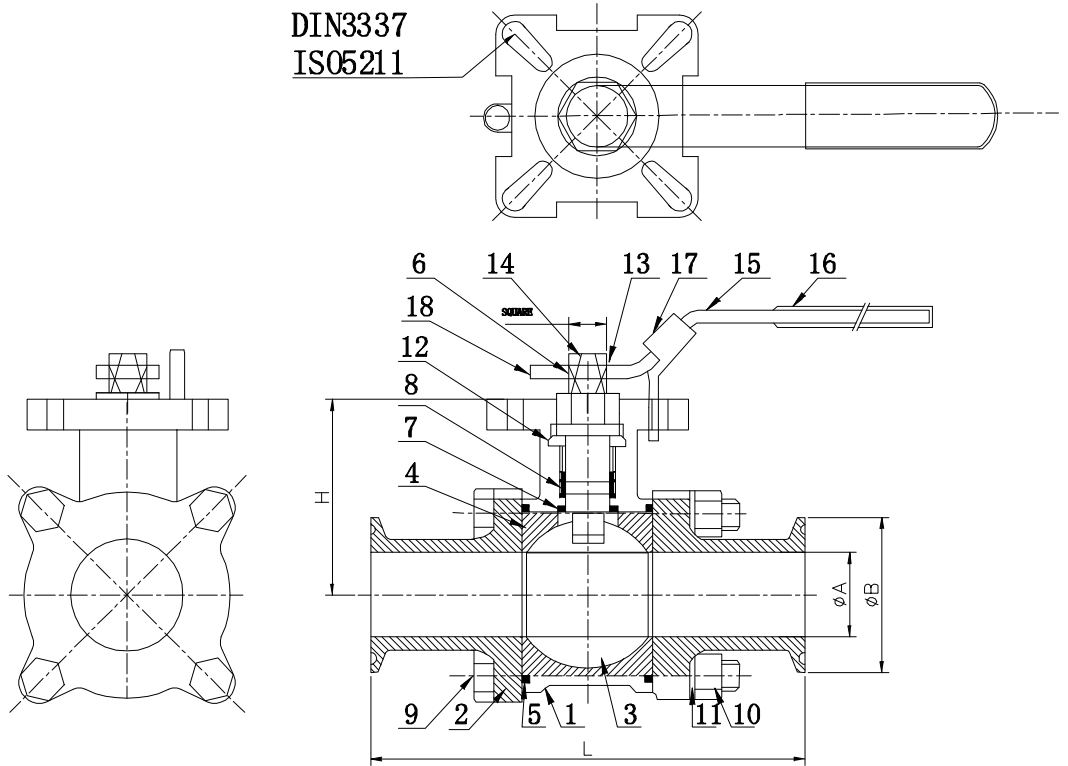


RF-3A-13

1.6 / (0.8)

DIN3337
ISO5211



ADOPTION STANDARD

ALL ROUNDERED CORNER: R0.2;
ALL THE DEVIATION: ±0.1;

NO	PARTS NAME	MATERIAL
1	BODY	ASTM-A51-CF3M
2	CAP	ASTM-A51-CF3M
3	BALL	A51-CF3M
4	SEAT	PTFE
5	GASKET	PTFE
6	STEM	F316L
7	PACKING	PTFE
8	GLAND PACKING	PTFE
9	BOLT	304
10	NUT	304
11	WASHER	304
12	GLAND	304
13	STEM WASHER	304
14	STEM NUT	304
15	HANDWHEEL	304
16	HANDLE SLEEVE	PLASTIC
17	LOCKING DEVICE	304
18	STOP PIN	304

SIZE	φA	φB	L	H	SQUARE
1/2"	9.4	25.4	89	36	9*9
3/4"	15.8	25.4	101	42.5	9*9
1"	22.1	50.5	114	52	11*11
1 1/4"	28.5	50.5	125	60.5	11*11
1 1/2"	34.8	50.5	138	71.5	14*14
2"	47.5	64	156	78.5	14*14

3-Piece Ball Valve
ISO 5211 Direct Mount

RF-3A-13