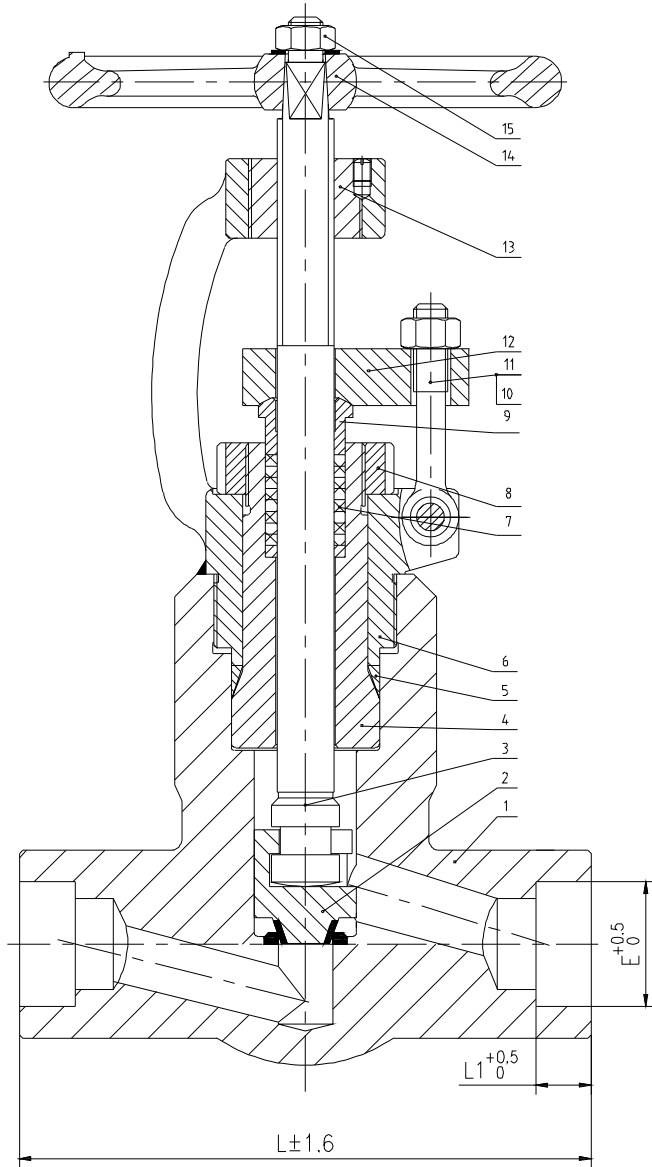


ITEM 7 8 8



2500	3/8"	186	17 8	10
CLASS	NPS	L	E	L1

15	NUT	C S
14	HANDWHEEL	ASTM ASTM A197
13	STEM NUT	A276 410
12	STUFFING COVER	ASTM A105
11	NUT	ASTM A194 8M
10	Eyebolt	ASTM A193 B16
9	GLAND	ASTM A276 304
8	NUT	A276 410
7	PACKING	Flexible Graphite
6	BONNET	ASTM A182 F316
5	GASKET	SS 316
4	Pressure seal seat	ASTM A276 316
3	STEM	ASTM A182 F316
2	DISC	ASTM A182 F316
1	BODY	ASTM A182 F316
No.	Part Name	Material

GLOBE VALVE CLASS 2500

Design and Manufacture	API 602
Face to Face Dimensions	MFG'S
End Connection	ASME B16.11
Pressure-temperature	ANSI B16.34
Test & Inspect	API 598
OTHER REQ.	

CLASS	2500		
TEST	SHELL	63	MPa
	SEAT	46.2	
	BACKSEAT	46.2	
	AIR	0.6	
TEMPERATURE: -29~425°C			
MEDIUM: WATER, OIL, GAS, ETC.			

STV TECHNOLOGY GROUP CO.,LTD

DISTRIBUTION:

PLOTTED: