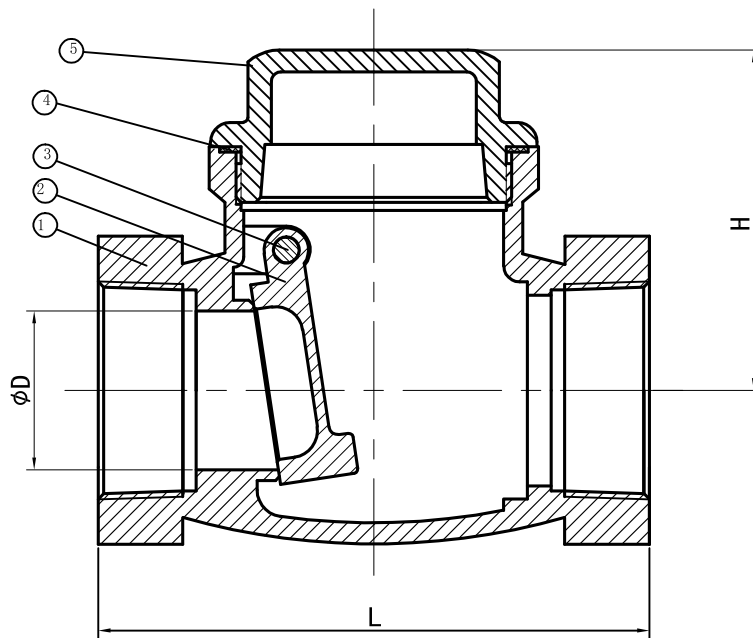


SWING CHECK VALVE

TEST&INSPECTION : API 598
 WORKING PRESSURE : 200#
 TEMPERATURE RANGE : -20°C ~ 150°C
 SCREW END : BSPT/BSPP/NPT
 MATERIAL : CF8M (ANSI 316)
 SIZE RANGE : 1/2" - 4"



Main Parts and material:

NO.	PART NAME	MATERIAL
1	BODY	CF8M
2	DISC	CF8M
3	HANGER PIN	SS316
4	GASKET	PTFE
5	CAP	CF8M

Main Size (mm):

SIZE	1/4"	3/8"	1/2"	3/4"	1"	1 1/4"	1 1/2"	2"	2 1/2"	3"	4"
D	6	8	15	19	24	30	39	49	64	79	97
L	65	65	65	81	92	104	120	141	164	191	218
H	43	43	43	53	60	63	76	81	92	104	122