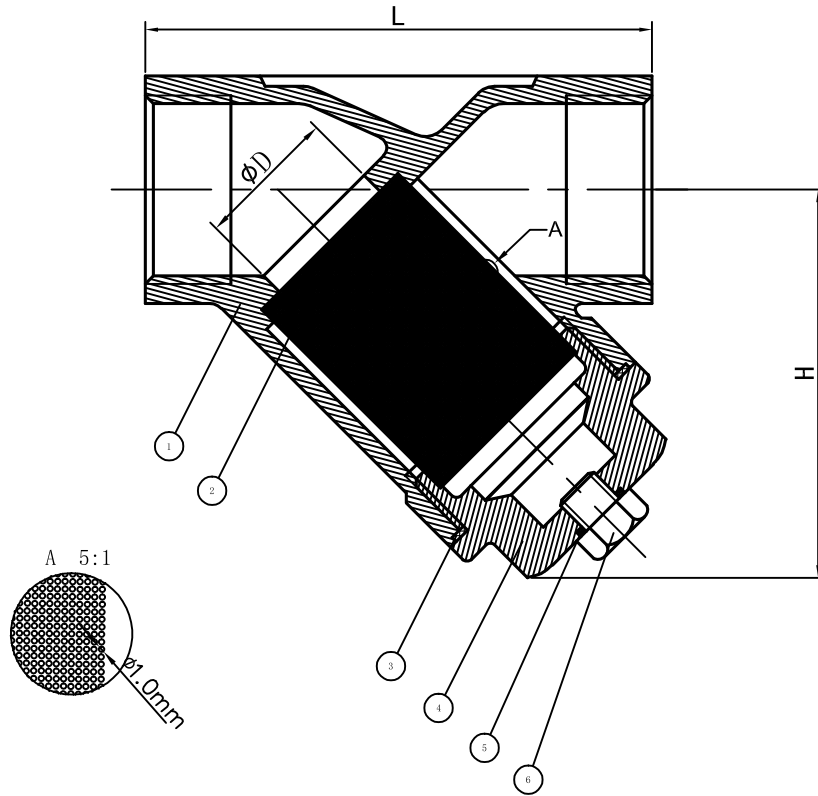


# Screw end Y-Strainer

WORKING PRESSURE :800#

TEMPERATURE RANGE : -20°C ~ 230°C



SCREEN: 1.0mm

SCREWED: BSPT, NPT, BSPP ( BY BUYERS' REQUEST)

## MAIN PARTS MATERIALS :

NO.	PART NAME	MATERIAL
1	BODY	CF8M
2	FILTER	SS316
3	GASKET	PTFE
4	CAP	CF8M
5	GASKET	PTFE
6	PLUG	316

## MAIN SIZE :

c	1/4"	3/8"	1/2"	3/4"	1"	1 1/4"	1 1/2"	2"	2 1/2"	3"	4"
D	9	9	14	18	22	28	38	48	70	84	110
L	65	65	61	80	84	99	108	131	175	190	240
H	35	35	43	50	63	70	82	94	115	135	152