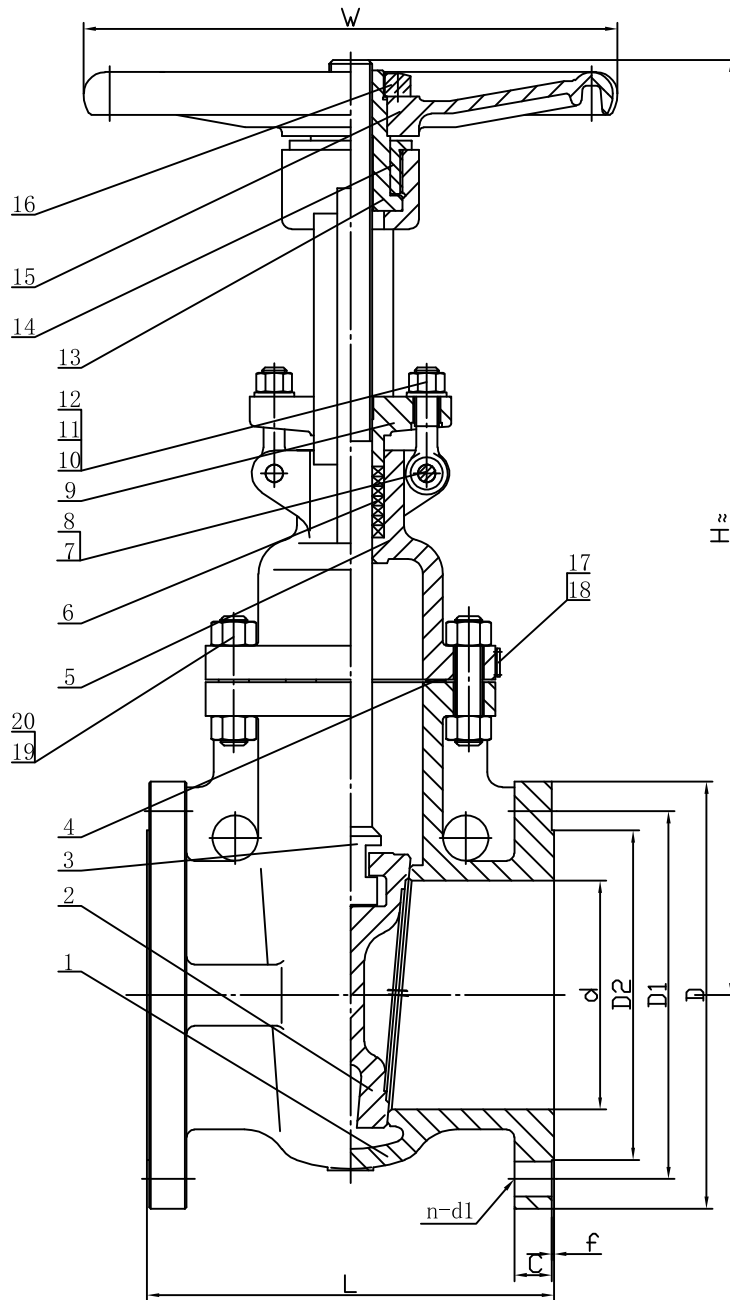


Z40H-150LB-00



20"	500	458	584	635	700	41.3	2	20-ø32
16"	400	406	470	540	595	35	2	16-ø29
14"	350	381	413	476.5	535	33.4	2	12-ø29
12"	300	356	381	432	485	30.2	2	12-ø25
10"	250	330	324	362	405	28.6	2	12-ø25
8"	200	292	270	298.5	345	27	2	8-ø22
6"	150	267	216	241.5	280	23.9	2	8-ø22
4"	100	229	157	190.5	230	22.3	2	8-ø19
3"	80	203	127	152.5	190	17.5	2	4-ø19
2 1/2"	65	191	105	140	180	15.9	2	4-ø19
2"	50	178	92	121	150	14.3	2	4-ø19
1 1/2"	40	165	73	98.5	125	12.7	2	4-ø16
NPS	d	L	D2	D1	D	C	f	n-d1

Performance Specification		
Nominal Pressure		150LB
Test Pressure	Intensity test	3.1
	Back seal test	2.2
	Seal test	2.2
	Gas test	0.6
Working Temperature		≤200 °C
Medium: water oil & gas		

- Technical Specification
1. Design and manufacture: API 600
 2. Face-to-face: ASME B16.10
 3. Flanged ends: ASME B16.5
 4. Pressure-Temperature class: ASME B16.34
 5. Inspection and test: API 598

10	Eye Bolt	ASTM A193 B7	20	Nut	ASTM A194 2H
9	Gland Flange	ASTM A351 CF8	19	Bolt	ASTM A193 B8
8	Split Cotter	S. S	18	Escutcheon Pin	Bronze
7	Pin	S. S	17	Nameplate	S. S
6	Packing	Flexible Graphite	16	Lock Nut	ASTM 1045
5	Cover	ASTM A351 CF8	15	Hand Wheel	Malleable Iron
4	Gasket	304+PPL	14	Gland Nut	C. S
3	Stem	ASTM A182 F304	13	Stem Nut	Aluminium Bronze
2	Wedge	ASTM A351 CF8	12	Gasket	S. S
1	Body	ASTM A351 CF8	11	Nut	ASMT A194 8
NO.	PART NAME	MATERIAL	NO.	PART NAME	MATERIAL

CHECKED BY
PRINTED BY
OLD DRAWING NO.
BASED DRAWING NO.
SIGNATURE
DATE

CLASS 150					Z40H-150LB-00		
NPS 11/2" ~ 20"					DRAW MARK WT. SCALE		
GATE VALVE					DRAW REV.		
ASSEMBLE DRAWING					STV TECHNOLOGY GROUP CO., LTD		
MARK	QTY	FILE NO.	SIGN	DATE			
DESIGN			STANDARD				
CHECK			APPROVE				
TECHNOLOGY							