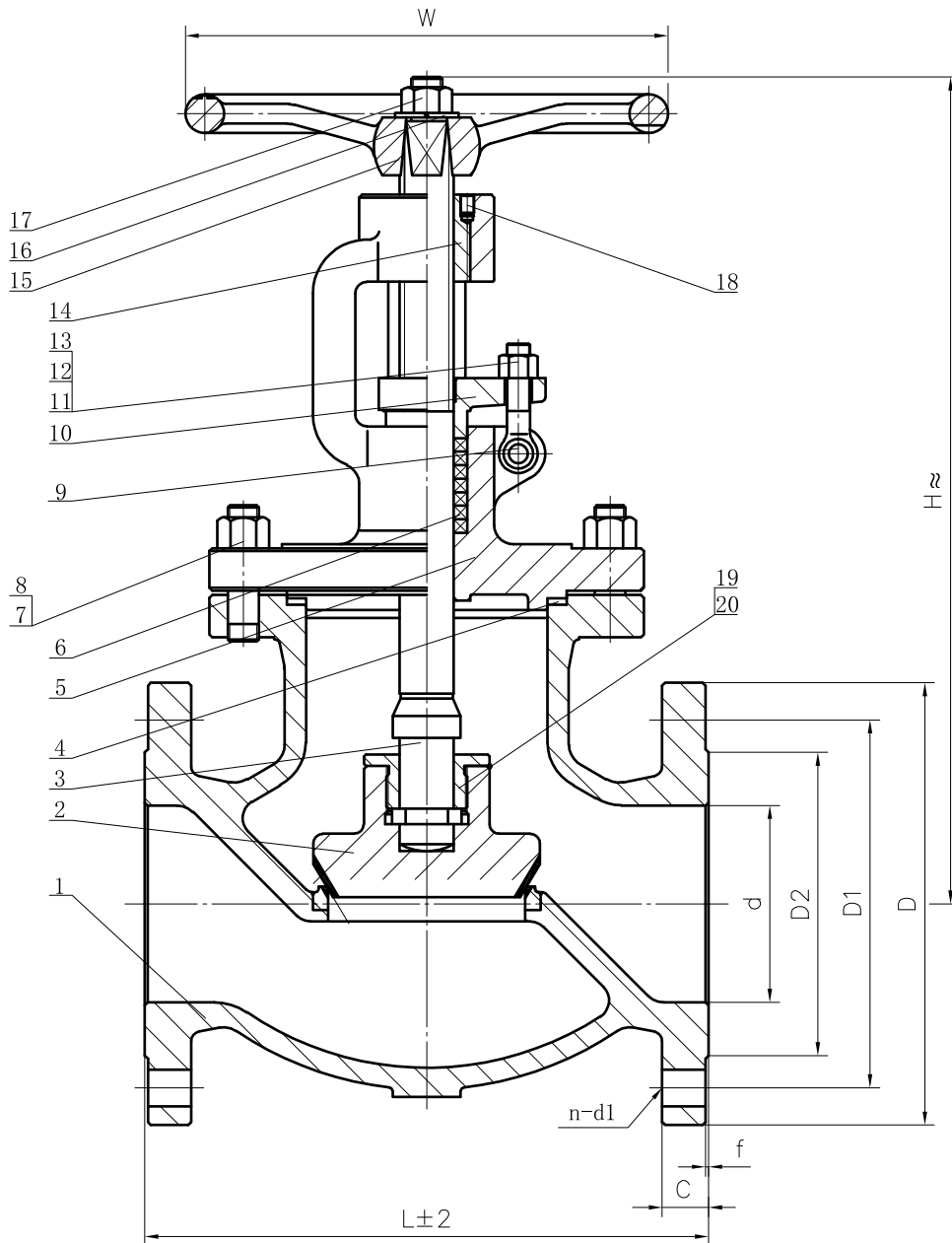


J41H-150LB-00



14"	350	787	413	476.5	535	33.4	2	12-ø29
12"	300	698	381	432	485	30.2	2	12-ø25
10"	250	622	324	362	405	28.6	2	12-ø25
8"	200	495	270	298.5	345	27	2	8-ø22
6"	150	406	216	241.5	280	23.9	2	8-ø22
4"	100	292	157	190.5	230	22.3	2	8-ø19
3"	80	241	127	152.5	190	17.5	2	4-ø19
2"	50	203	92	121	150	14.3	2	4-ø19
NPS	d	L	D2	D1	D	C	f	n-d1

Performance Specification			
Nominal Pressure		150lb	
Test Pressure	Intensity test	3.1	MPa
	Back seal test	2.0	
	Seal test	5.6	
	Gas test	0.6	
Working Temperature		≤425 °C	
Medium: water oil & gas			

- Technical Specification
1. Design and manufacture: BS 1873
 2. Face-to-face: ASME B16.10
 3. Flanged ends: ASME B16.5
 4. Pressure-Temperature class: ASME B16.34
 5. Inspection and test: API 598

10	Gland Flange	ASTM A216 WCB	20	Split Collar	WCB
9	Pin	S.S	19	Disc Gland	ASTM A276 410
8	Nut	ASMT A194 2H	18	Screw	ASTM A193 B7
7	Bolt	ASTM A193 B7	17	Nut	S.S
6	Packing	Flexible Graphite	16	Gasket	S.S
5	Cover	ASTM A216 WCB	15	Hand Wheel	Malleable Iron
4	Gasket	304+Graphite	14	Stem Nut	Aluminium Bronze
3	Stem	ASTM A182 F6a	13	Nut	ASMT A194 2H
2	Disc	ASTM A216 WCB+13Cr	12	Gasket	S.S
1	Body	ASTM A216 WCB+13Cr	11	Eye Bolt	ASTM A193 B7
NO.	PART NAME	MATERIAL	NO.	PART NAME	MATERIAL

					Class 150		J41H-150LB-00	
					NPS 2"~14"		DRAW MARK WT. SCALE	
					GLOBE VALVE			
MARK	QTY	FILE NO.	SIGN	DATE	ASSEMBLE DRAWING			
DESIGN			STANDARD					
CHECK			APPROVE					
TECHNOLOGY								
							DRAW REV. 00	

CHECKED BY
 PRINTED BY
 OLD DRAWING NO.
 BASED DRAWING NO.
 SIGNATURE
 DATE