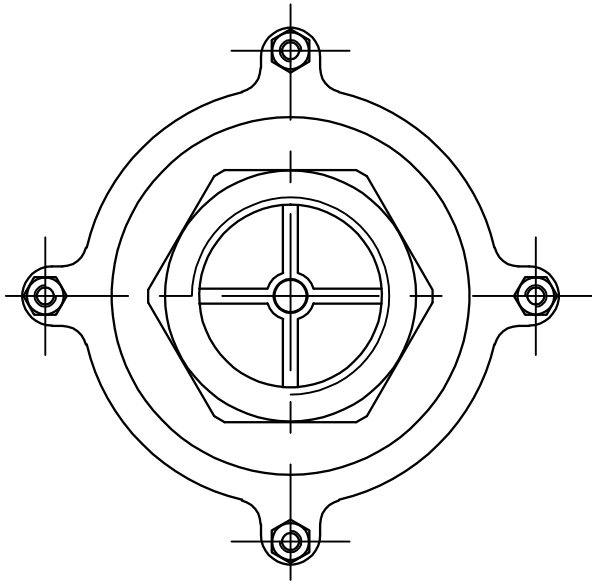


FOOT VALVE



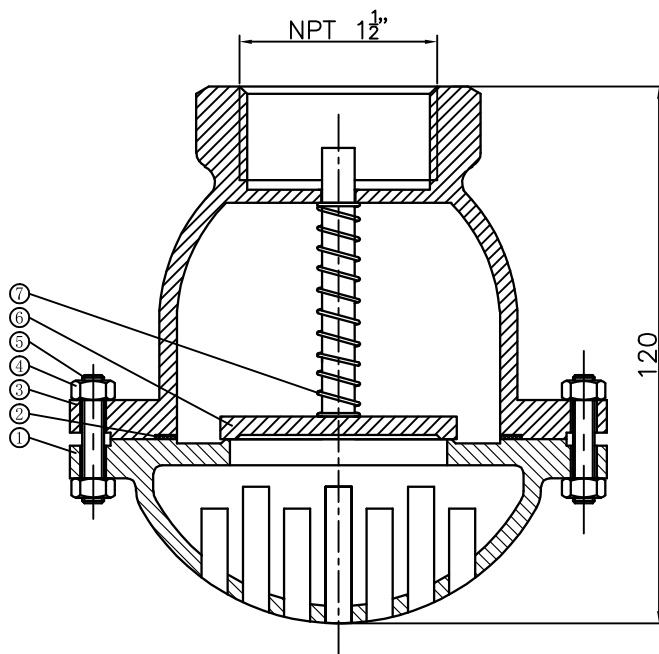
JIS10K SUS 304 FOOT VALVE

DIAMETER:50A-600A

END FLANGED DIMENSION:JIS B2220

FACE TO FACE END :JIS B2002

INSPECTION AND TEST:JIS B2003



MAIN PARTS MATERIALS:

| ITEM NO. | PART NAME | MATERIAL |
|----------|-----------|----------|
| 1 | CAP | CF8/CF8M |
| 2 | PACKING | PTFE |
| 3 | BODY | CF8/CF8M |
| 4 | NUT | SS304 |
| 5 | BOLT | SS304 |
| 6 | DISC | SS304 |
| 7 | SPRING | SS304 |