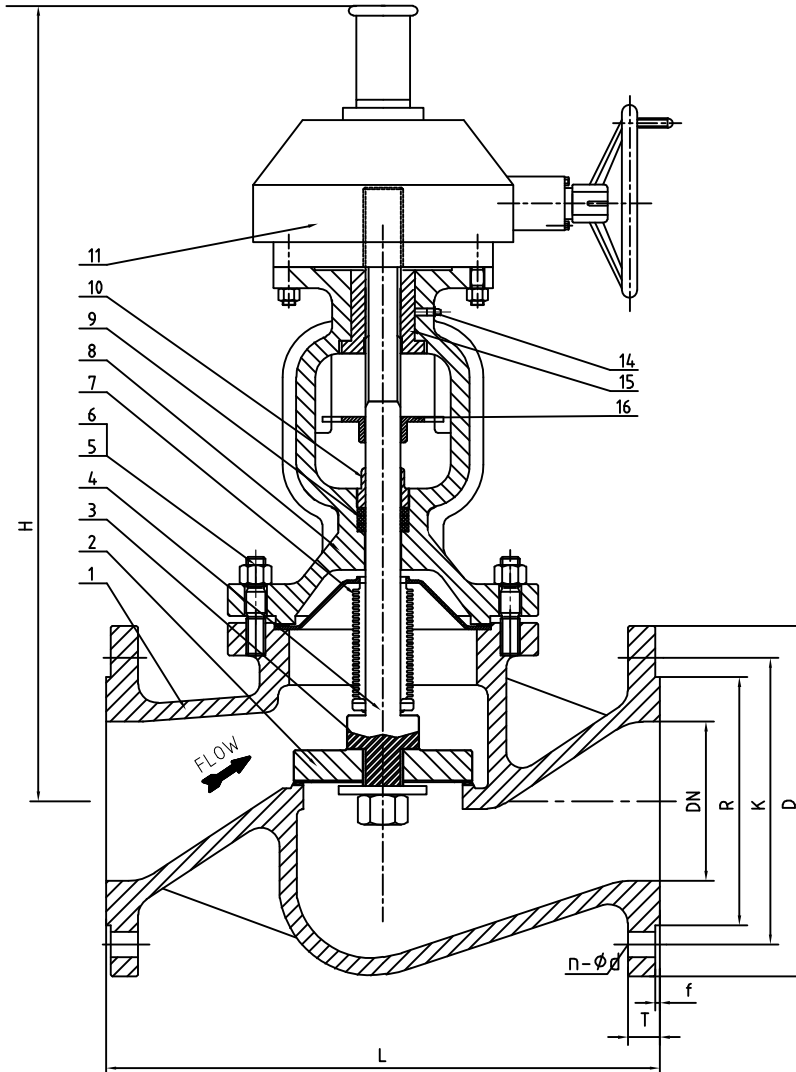


DIMENSIONS										UNIT: mm	APPROX MASS (Kg)	Q'ty	ITEM No.
Class/PN	NOMINAL DIAMETER	L	END FLANGE-EN1092-1 TYPE E						REFERENCE				
			D	K	R	n- $\phi$ d	T	f	H	W			
PN40	DN350	980	580	510	465	16- $\phi$ 36	46	4	1250	-	510	-	1



### TECHNICAL SPECIFICATION

DESIGN STD	DIN EN 13709
FACE TO FACE	DIN EN 558
RF END CONNECTION	DIN EN 1092-1
TEST & INSPECTION	DIN EN 12266

### TESTING PRESSURE ( BAR )---DIN EN 12266

PN 40	SHELL		SEAT	
HYDROSTATIC	60		44 bar	
AIR			6 bar	
HOLDING TIME	V/V Size	Time(sec)	V/V Size	Time(sec)
	DN15-DN100	60	DN15-DN150	60
	DN125-DN200	120	DN200" & OVER	120
DN200" & OVER	300			

### Rated Pressure @ Max. & Min. Design Temperature

MIN WORKING TEMPERATURE	-29 ~ 38°C/15.4bar
MAX WORKING TEMPERATURE	400°C/3.4bar
APPLICABLE MEDIUM	w.G.O etc

16	GUIDE PIECE	X10CR13
15	STEM NUT	COPPER ALLOY
14	GREASE NIPPLE	H2
13	HANDWHEEL	CARBON STEEL
12	LOCK NUT	A194 2H
11	KEY	X10CR13
10	PACKING GLAND	X10CR13
9	PACKING	GRAPHITE
8	BONNET	GS-C25
7	BELLOWS & COVER	SS304
6	NUT	A194 2H
5	BOLT	A193 B7
4	STEM	X20CR13
3	DISC PIN	SS304
2	DISC	GS-C25+SS
1	BODY	GS-C25

NO.	PARTS	MATERIALS
		BALANCE DISC
		BB OS&Y, RF
		BODY: GS-C25 DN350-PN40

STANDARD		SCALE	
DESIGN BY	K.Y	UNIT	(mm) inch
CHECK BY		APP'D BY	C.KE
SIGN BY		REV.NO	
FILE NO.		DATE	JUNE 11 2016
DWG NO.	WJ41H-40C		STV VALVE TECHNOLOGY GROUP CO.,LTD