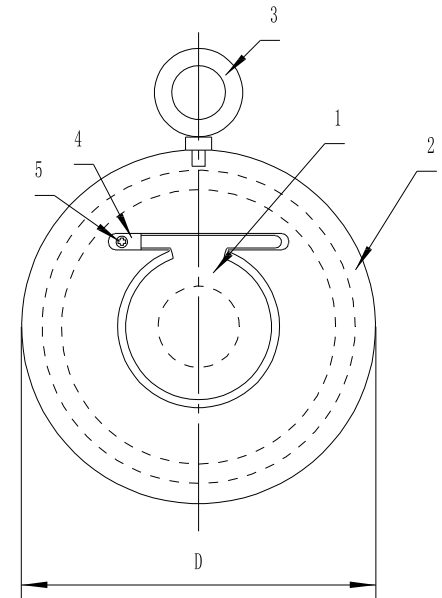
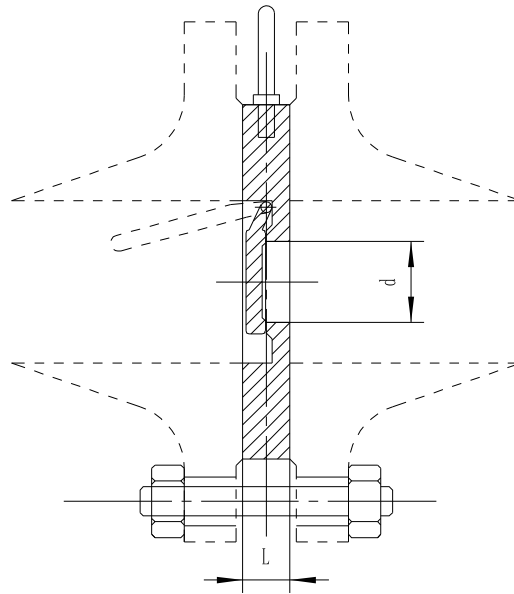


Single Disc Check valve	H74H-150LBP
Nominal Prs	150LB
Shell Test	3.10Mpa
Seal Test	2.2Mpa
Suit Medium:	Oil,water,acid
Suit Temperture:	≤300°C

Standards Requests

1. Design and manufacture std: API594
2. Face to face std: API594
3. Pressure and temperature std: ASME B16.34
4. Suit flange std: ASME B16.5
5. Test and inspection std: API598



Parts Name	1.Body	2.Disc	3.O-ring	4.Gland	5.Screw
Material	F316	316	304	316	316

Dimension (DN)	Size (mm)		
	L	d	D
2"	19	25	104
3"	19	46	136
4"	19	72	174
6"	19	115	221