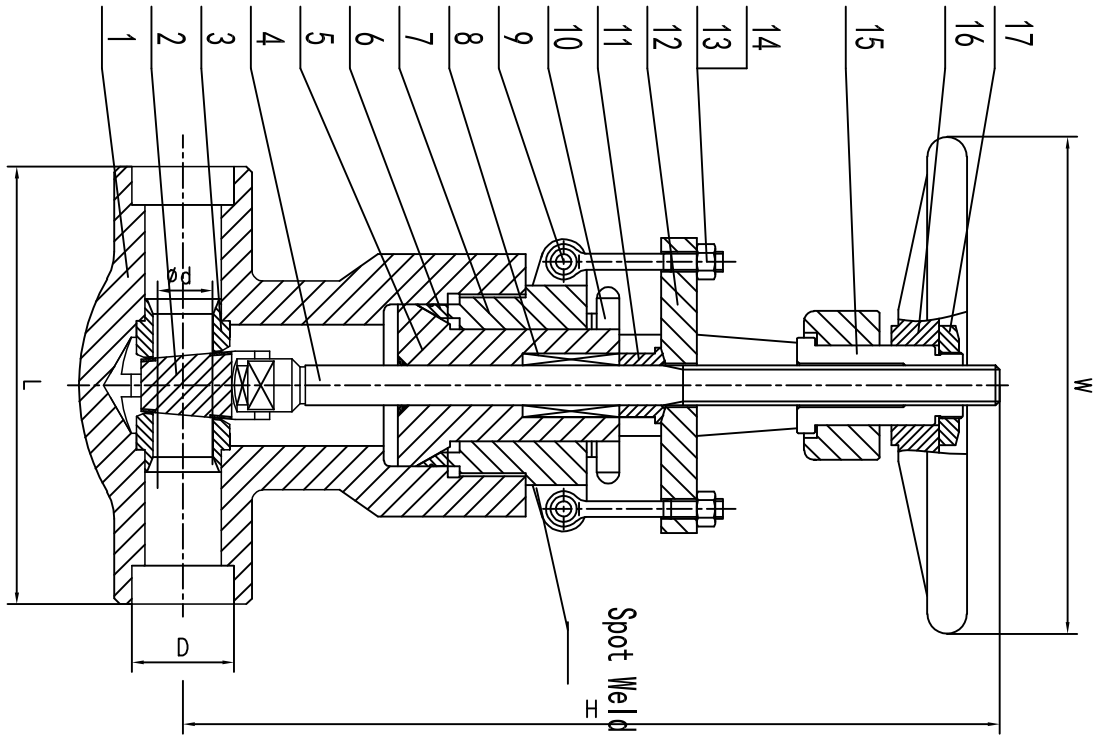


ITEM 9



1500	2"	216	612	540	300
CLASS	NPS	L	D	H	W

16	Packing	Flexible Graphite
15	Handwheel	A 197
14	Nameplate	SS
13	H.W. Nut	C.S
12	Yoke Nut	ASTM 1035
11	Gland Nut	ASTM A194, 2H
10	Gland Flange	ASTM A105
9	Pin	ASTM A105
8	Packing	SS304+Graphite
7	Bonnet	ASTM A105N
6	Gasket	ASTM 304
5	Stuffing Box	410
4	Stem	ASTM A182 F6
3	Seat Ring	F6+STL
2	Gate	F6+STL
1	Body	ASTM A105N
No.	Part Name	Material

CLASS		1500
SHELL		37.5
SEAT		27.5
BACKSEAT		27.5
AIR		0.6
TEST		MPa
TEMPERATURE: -29 ~ 425°C		
MEDIUM: WATER, OIL, GAS, ETC.		
Gate Valve CLASS 1500		
Design and Manufacture		API 602
Face to Face Dimensions		MFG'S
End Connection		ASME B16.11
Pressure-temperature		ANSI B16.34
Test & Inspect		API 598
OTHER REQ.		

PLOTTED :

DISTRIBUTION: