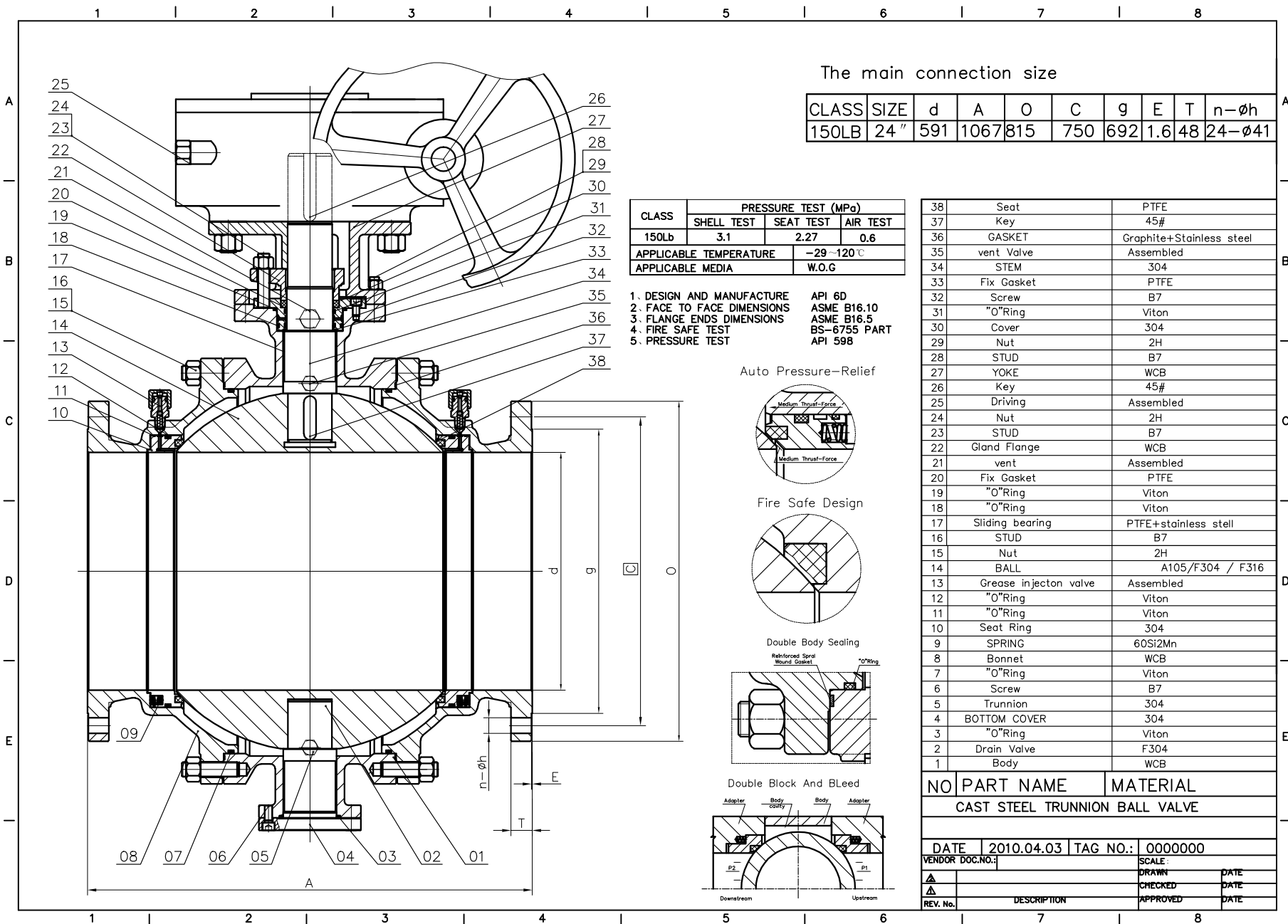


NOTICE: THIS ORIGINAL DRAWING AND ALL COPIES TOGETHER WITH THE COPYRIGHT THEREOF ARE THE SOLE PROPERTY OF ONERO®



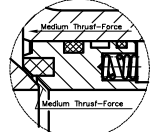
The main connection size

| CLASS | SIZE | d | A | O | C | g | E | T | n-øh |
|-------|------|-----|------|-----|-----|-----|-----|----|--------|
| 150LB | 24" | 591 | 1067 | 815 | 750 | 692 | 1.6 | 48 | 24-ø41 |

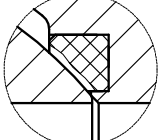
| CLASS | PRESSURE TEST (MPa) | | |
|------------------------|---------------------|--------------|----------|
| | SHELL TEST | SEAT TEST | AIR TEST |
| 150lb | 3.1 | 2.27 | 0.6 |
| APPLICABLE TEMPERATURE | | -29 ~ 120 °C | |
| APPLICABLE MEDIA | | W.O.G | |

- 1. DESIGN AND MANUFACTURE API 6D
- 2. FACE TO FACE DIMENSIONS ASME B16.10
- 3. FLANGE ENDS DIMENSIONS ASME B16.5
- 4. FIRE SAFE TEST BS-6755 PART 5
- 5. PRESSURE TEST API 598

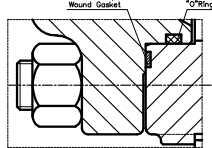
Auto Pressure-Relief



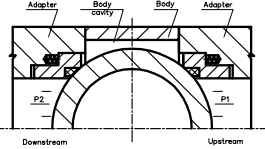
Fire Safe Design



Double Body Sealing



Double Block And BLeed



| | | |
|----|-----------------------|--------------------------|
| 38 | Seat | PTFE |
| 37 | Key | 45# |
| 36 | GASKET | Graphite+Stainless steel |
| 35 | vent Valve | Assembled |
| 34 | STEM | 304 |
| 33 | Fix Gasket | PTFE |
| 32 | Screw | B7 |
| 31 | "O"Ring | Viton |
| 30 | Cover | 304 |
| 29 | Nut | 2H |
| 28 | STUD | B7 |
| 27 | YOKE | WCB |
| 26 | Key | 45# |
| 25 | Driving | Assembled |
| 24 | Nut | 2H |
| 23 | STUD | B7 |
| 22 | Gland Flange | WCB |
| 21 | vent | Assembled |
| 20 | Fix Gasket | PTFE |
| 19 | "O"Ring | Viton |
| 18 | "O"Ring | Viton |
| 17 | Sliding bearing | PTFE+stainless stell |
| 16 | STUD | B7 |
| 15 | Nut | 2H |
| 14 | BALL | A105/F304 / F316 |
| 13 | Grease injecton valve | Assembled |
| 12 | "O"Ring | Viton |
| 11 | "O"Ring | Viton |
| 10 | Seat Ring | 304 |
| 9 | SPRING | 60Si2Mn |
| 8 | Bonnet | WCB |
| 7 | "O"Ring | Viton |
| 6 | Screw | B7 |
| 5 | Trunnion | 304 |
| 4 | BOTTOM COVER | 304 |
| 3 | "O"Ring | Viton |
| 2 | Drain Valve | F304 |
| 1 | Body | WCB |

| NO | PART NAME | MATERIAL |
|--------------------------------|-------------|------------------|
| CAST STEEL TRUNNION BALL VALVE | | |
| DATE | 2010.04.03 | TAG NO.: 0000000 |
| VENDOR DOC.NO.: | SCALE: | |
| ▲ | DRAWN | DATE |
| ▲ | CHECKED | DATE |
| REV. No. | DESCRIPTION | APPROVED |