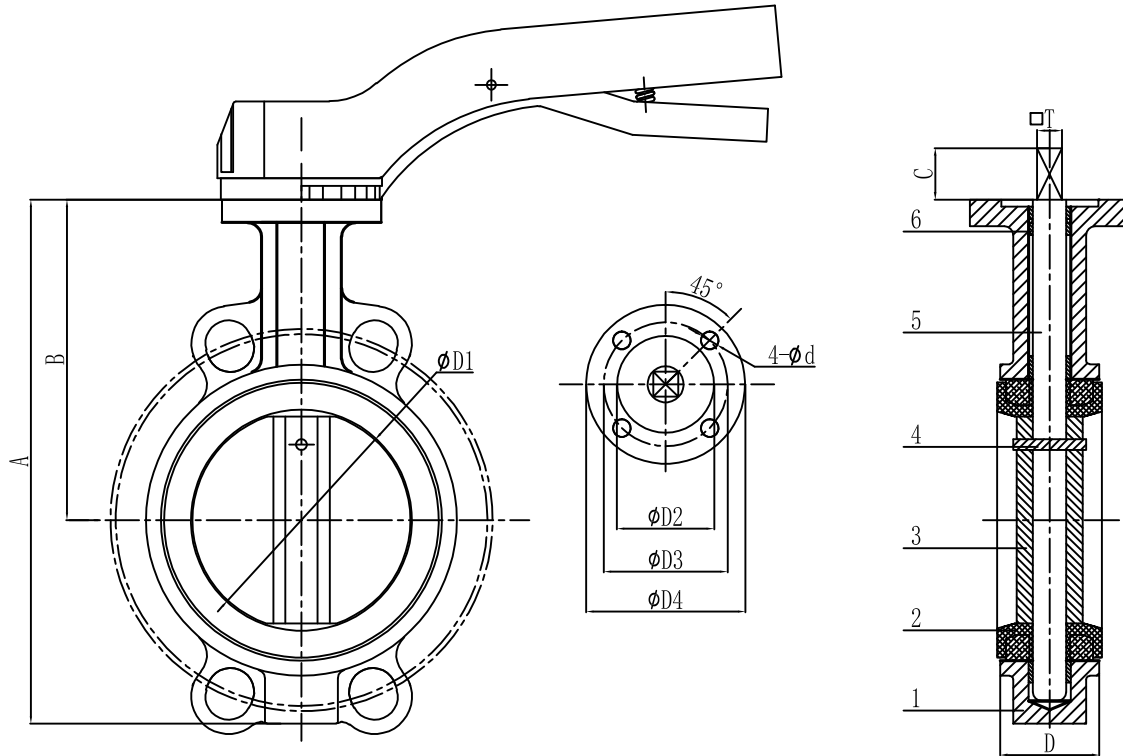


Nominal size	in/mm	1.5"-8"/DN40-DN200
Nominal pressure	Bar	16 Bar
Seal testing pressure	Bar	17.6 Bar
Shell testing pressure	Bar	24 Bar
Working temperature	°C	-10°C~100°C

SIZE	A	B	C	D	øD1	øD2	øD3	øD4	4-ød	□T
DN40	156	92	29	33	42.5	35	50	65	4-7	9×9
DN50	189	126	29	43	52.5	35	50	65	4-7	9×9
DN65	202	133	29	46	64.3	35	50	65	4-7	9×9
DN80	238	152	29	46	78.8	35	50	65	4-7	9×9
DN100	276	170	32	52	104	55	70	90	4-10	11×11
DN125	296	181	32	56	104	55	70	90	4-10	14×14
DN150	324	196	32	56	155.6	55	70	90	4-10	14×14
DN200	398	238	35	60	202.4	70	102	125	4-12	17×17



Technical requirement:
 1. Valve Design Standard: API 609
 2. End Flange: DIN PN10/PN16
 ANSI 125#/150#
 3. Top Flange: ISO5211
 4. Valve Test Standard: API 598
 5. Face to Face: EN 558-1 20 series

6	Bearing	PTFE
5	Shaft	SS410
4	Taper pin	SS420
3	Disc	CF8M
2	Seat	NBR
1	Body	GGG40
No	name	Material

Lever

Operator

Part	Places	Changed	File	No	Sign	Date
Design						
Proof						
Examine						
Artwork						

DN40-DN200

Drawing

Design mark	Quantity	Weight	Proportion
Total	Page		Page