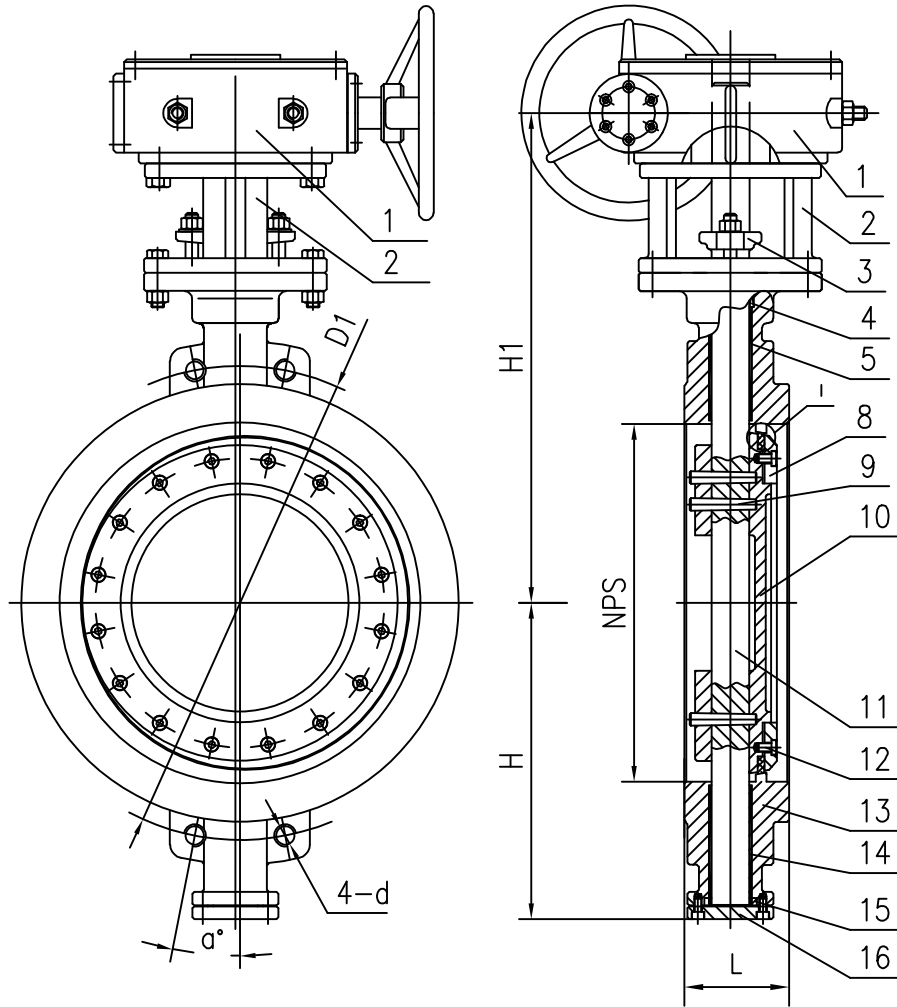


Adoption standard

1. Design standard: API609
2. Flange connection dimension: ANSI B16.47 Series B
3. Structure length: API609
4. Pressure test: API598

Pressure Test		
Nominal Pressure	150LB	
Shell test	3.0	Mpa
Seal test	2.2	
Seal test(air)	0.6	
Working Temp.	150°C	
Working Medium	Oil, Gas, Water...	



Nominal Diameter		Prime out-form dimensions					
NPS	class	L	D1	4-UNC	a°	H	H1
8"	150LB	64	298.5	4- ϕ 22	22.5°	185	430
10"	150LB	71	362	4- ϕ 26	15°	273	461
16"	150LB	102	540	4-1"-8UNC	11.25°	355	636
20"	150LB	127	635	4-1 $\frac{1}{8}$ "-8UNC	9°	425	725
32"	150LB	190	900.1	4-3/4"-10UNC	3.75°	552	920

N	Name	Material
0	Drive	Assembly
1	Yoke	WCB
2	Gland	WCB
3	Packing	Graphit
4	Bushing	304L
5	seat	304L
6	Seal Ring	PTFE
7	Retaining Ring	304L
8	Pin	304L
9	Disc	CF3
10	Stem	304L
11	Stud	304L
12	Body	WCB
13	Bushing	304L
14	Thrust Ring	304L
15	End Cap	25

STV Valve Technology Group Co., Ltd

BUTTERFLY VALVE