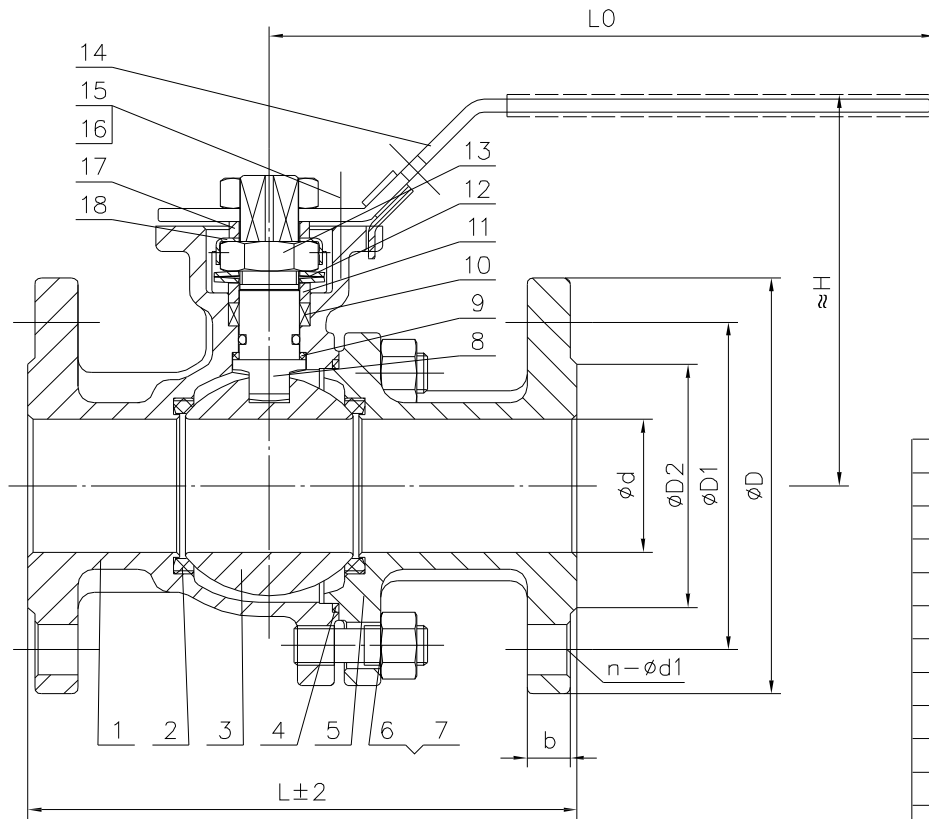


Q41F-JIS10K-2A-00



Nominal Diameter	d	D2	D1	D	L	b	n-ød1	H	L0	
15	1/2"	15	52	70	95	108	12	4-15	80	150
20	3/4"	20	58	75	100	117	14	4-15	86	150
25	1"	25	70	90	125	127	14	4-19	98	170
32	1 1/4"	32	80	100	135	140	16	4-19	110	170
40	1 1/2"	40	85	105	140	165	16	4-19	120	200
50	2"	50	100	120	155	178	16	4-19	128	200
65	2 1/2"	65	120	140	175	190	18	4-19	151	250
80	3"	80	130	150	185	203	18	8-19	162	280
100	4"	100	155	175	210	229	18	8-19	184	320

SPECIFICATIONS

Nominal pressure	JIS10K	
Shell test pressure	3.0	MPa
Seal test pressure	0.6	
Applicable temperature	-29~120	°C

NOTE:

- 1.Design and Manufacture for valve according to JIS B2071/BS 5351.
- 2.Inspection and Test for valve according to JIS B2003.
- 3.Face-to-face dimensions for valve according to JIS B2002.
- 4.End flange dimensions for valve according to JIS B2212/B2214.

18	Q41F-CL150-2A-13	LOCATOR	1	304	
17	Q41F-CL150-2A-12	WASHER	1	304	
16	GB/T 6170-2000	NUT	1	A194-8M	
15	GB/T 70.1-2000	HEX SOCKET BOLT	1	A193-B8M	
14	Q41F-JIS10K-2A-11	HANDLE	1	202	
13	GB/T 6172.1-2000	NUT	2	316	
12	Q41F-JIS10K-2A-10	DISH SHRAPNEL	2	301	
11	Q41F-JIS10K-2A-09	GLAND	1	316	
10	Q41F-JIS10K-2A-08	PACKING	1	PTFE	
9	Q41F-JIS10K-2A-07	STEM WASHER	1	PTFE	
8	Q41F-JIS10K-2A-06	STEM	1	316	
7	GB/T 6170-2000	NUT		8M	
6	GB/T 898-1988	BOLT		A193-B8M	
5	Q41F-JIS10K-2A-05	BONNET	1	SCS14	
4	Q41F-JIS10K-2A-04	GASKET	1	PTFE	
3	Q41F-JIS10K-2A-03	BALL	1	316	
2	Q41F-JIS10K-2A-02	SEAT	2	PTFE	
1	Q41F-JIS10K-2A-01	BODY	1	SCS14	

NO.	DRAWING NO.	DESCRIPTION	Q'TY	MATERIAL	REMARKS
GENERAL DRAWING					
MARK	BEFORE MODIFIED	AFTER MODIFIED	DATE	FLANGE BALL VALVE	
DRA.		APP.			
CHK.		DATE		Q41F-JIS10K-2A-00	